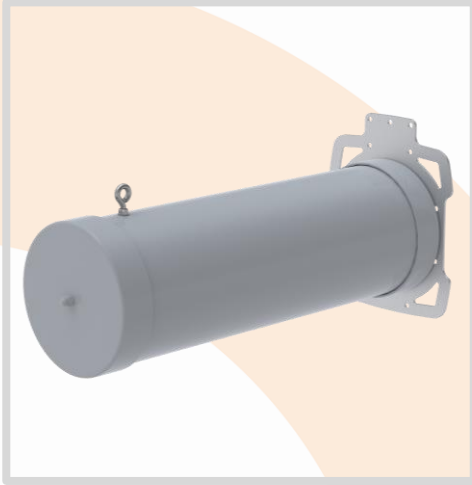


ANTENNAS | HELI-6 SERIES

CIRCULAR POLARISED, DIRECTIONAL MINE/TUNNEL ANTENNA

LTE/LoRa; 690 – 960 MHz, 13.5 dBic



690 – 960 MHz



13.5 dBic



Increase
X Mb/s



Uni-Directional



Internet of
Things



4G LTE



LoRa



-40°C to +80°C



Fire Resistant



IK 08



IP 65



Mining



Tunnelling



Mining and
Surface

APPLICATION AREAS

- Circular Polarised HELI antenna provides enhanced signal propagation and connection stability within a tunnel
- Covers traditional ISM bands for 868/915 MHz, LoRa and other technologies
- Left Hand Circular (LHC) polarised
- Uni-directional – radiates in one direction in a tunnel
- Ruggedized & water ingress protected (IP 65)
- Ideal for Mining & Tunnel M2M and IoT deployments

Product Overview

The HELI-6 is a high gain LTE directional antenna, which complements our MinePoynt mine and tunnel antennas. MinePoynt antennas exploits Poynting's fifteen years' experience in designing and manufacturing antennas for underground mining communication and data networks. This antenna is also suitable for oil/gas chemical environments as well as fiery mines where IS equipment is required. In tests, the data rate and range achieved with this antenna was substantially greater than obtained when using linear polarised panel antennas of the same gain. The hardy construction of the antenna makes it ideal for a mining environment.

Features

- High gain over the 690 – 960 MHz frequency range
- Uni-directional antenna
- Proven antenna performance giving maximum range
- Improved performance due to circularly polarised
- Ideal for mining and tunnelling applications
- Intrinsically safe version available on request

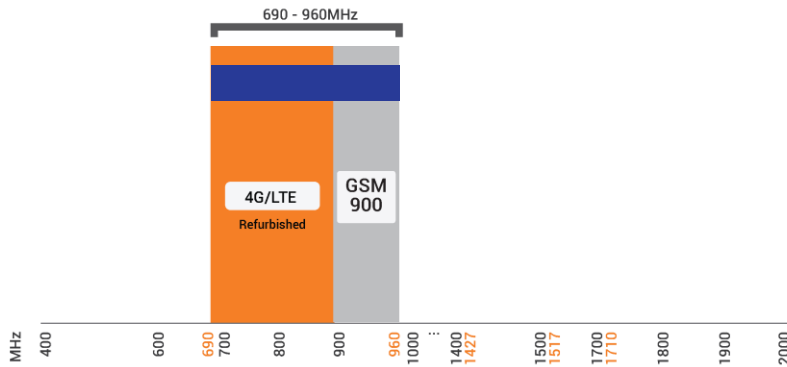
Application Areas

- Supplementing fibre/cable network "Hotspots" to enhance mobility or extend networks to inaccessible areas such as mines and tunnels
- Underground telemetry
- Creation of complete underground in-tunnel wide data networks and internet/LTE connectivity
- Seamless connection to personnel using cellular phones, smart devices and tablets



Frequency Bands

The HELI-6 is an LTE/LoRa antenna that works from | 690 – 960 MHz |



 Indicates the LTE bands on which HELI-6 works

Antenna Overview

	 
Ports	1
SISO / MIMO	SISO
Frequency Bands	690 – 960 MHz
Polarisation	Left Hand Circular Polarised
Peak Gain	13.5 dBic
Coax Cable Type	N/A
Coax Cable Length	N/A
Connector Type	N-Type (F) Bulkhead

**The connector is factory mounted to the antenna*

Electrical Specifications

Frequency Bands:	690 – 960 MHz
Gain (Max):	13.5 dBic
VSWR:	≤2:1
Feed Power Handling:	30 W
Input Impedance:	50 Ohm (nominal)
Polarisation:	Left-Hand Circular <small>*RHC option available upon request</small>
DC Short:	No

Product Box Contents

Antenna:	A-HELI-0006-V1-01
Mounting Bracket:	65mm U-bolt for pole mount option and eyebolts for ceiling mount

Ordering Information

Commercial Name:	HELI-6
Order Product Code:	A-HELI-0006-V1-01
EAN Number:	6009880915453

Mechanical Specifications

Product Dimensions:	705 mm x 245 mm x 197 mm
Packaged Dimensions:	710 mm x 260 mm x 210 mm
Weight:	4.20 kg
Packaged Weight:	5.04 kg
Radome Material:	PVC
Radome Colour:	Grey
Mounting Type:	Ceiling Mount (12mm ID Eye Hook) Pole Mount (65mm U-bolt)

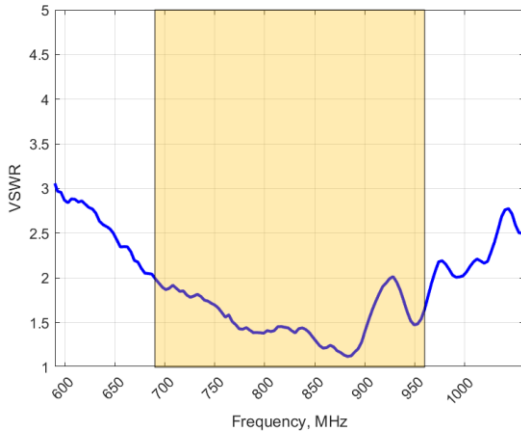
Environmental Specifications, Certification & Approvals

Wind Survival:	<120 km/h
Temperature Range (Operating):	-40°C to +80°C
Environmental Conditions:	Outdoor/Indoor
Water Ingress Protection Ratio/Standard:	IP 65
Salt Spray:	MIL-STD 810G/ASTM B117
Operating Relative Humidity:	Up to 98%
Storage Humidity:	5% to 95% - non-condensing
Storage Temperature:	-40°C to +80°C
Enclosure Flammability Rating:	UL 94-HB
Impact Resistance:	IK 08
Product Safety & Environmental:	Complies with CE and RoHS standards

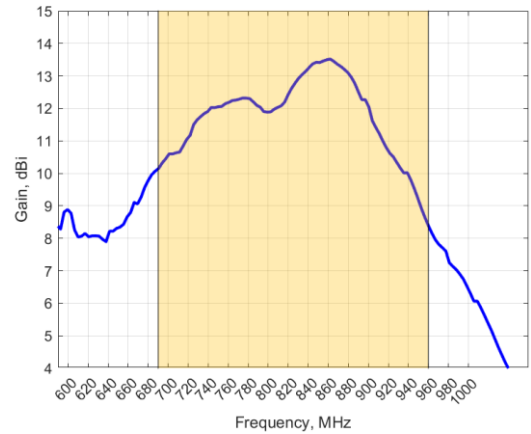


Antenna Performance Plots

VSWR



GAIN (EXCLUDING CABLE LOSS)



Voltage Standing Wave Ratio (VSWR)*

VSWR is a measure of how efficiently radio-frequency power is transmitted from a power source, through a transmission line, into a load. In an ideal system, 100% of the energy is transmitted which corresponds to a VSWR of 1:1.

The HELI-6 delivers superior performance across all bands with a VSWR of 2:1 or better across the band.

*VSWR measured without a cable

Gain* in dBic

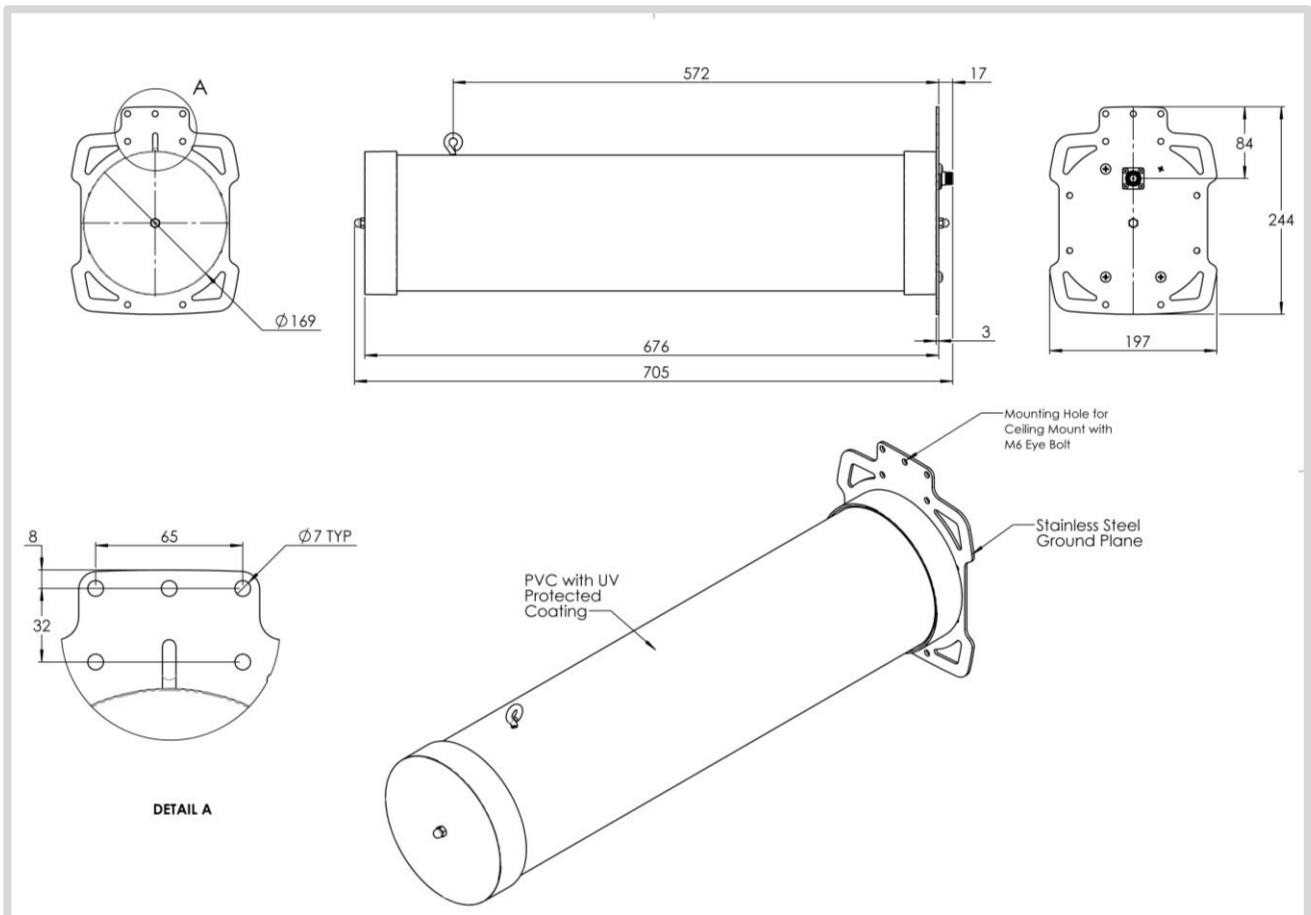
13.5 dBic is the peak gain from 690 – 960 MHz

Gain @ 690 – 960 MHz:

13.5 dBic

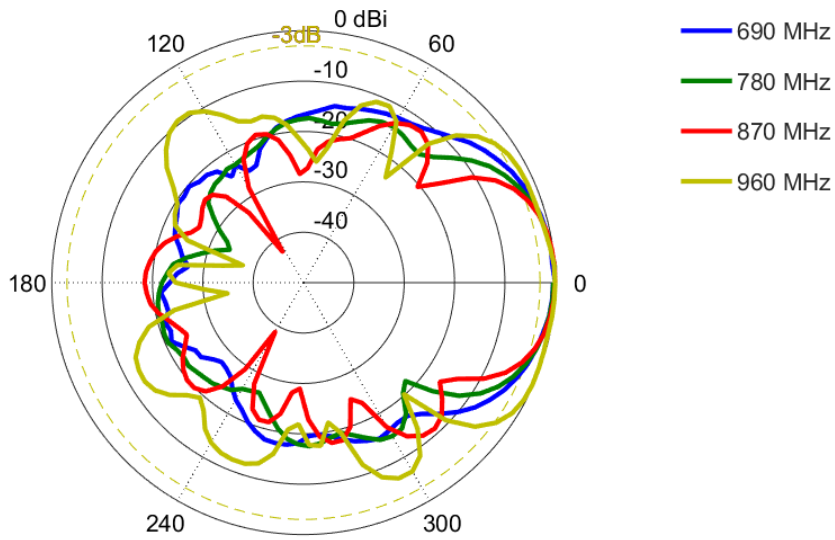
* Antenna gain measured with circular polarised standard antenna

Technical Drawings

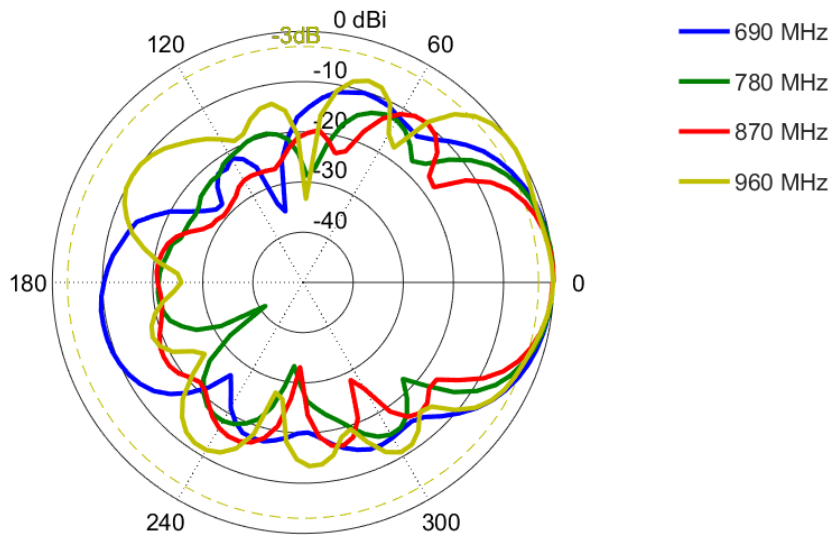


Radiation Patterns

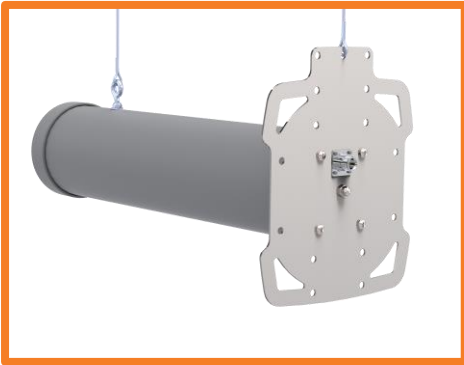
Azimuth: 690 - 960 MHz



Elevation: 690 - 960 MHz

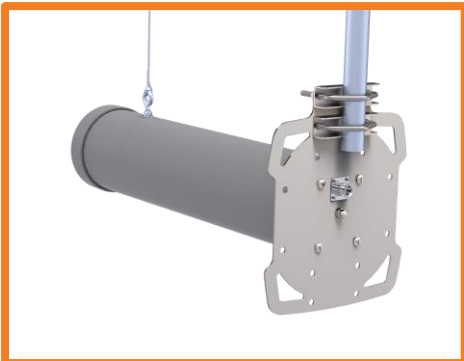


Mounting Options



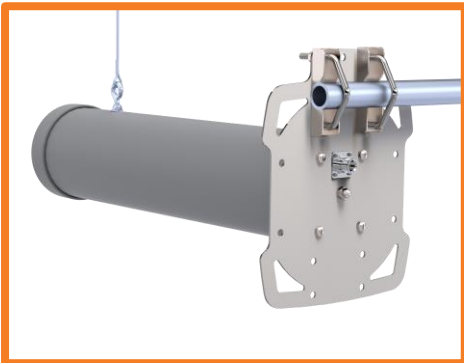
Ceiling Mount

Suspend from ceiling to desired height with cable attached to the M6 eye bolt and one of the mounting holes on the ground plate




Pole/Hanger Bolt Mount

Suspend from ceiling using the eye bolt and attaching the ground plane to a pole or hanger bolt using the included u-bolts



Additional Accessories

See accessories technical specifications on www.poynting.tech



CONTACT POYNTING

Poynting Antennas (Pty) Ltd - Head Office

Unit 4, N1 Industrial Park,
Landmarks Avenue,
Samrand, 0157, South Africa

Phone: +27 (0) 12 657 0050

E-mail: info@poynting.tech

International Email: sales-global@poynting.tech

Poynting Europe

Regus Business Center Neue Messe Riem
Kronstadter Straße 4
81677 München
Germany

Phone: +49 89 7453 9002

E-mail: sales-europe@poynting.tech

Poynting USA

1804 Owen Court, Suite 104,
Mansfield,
TX 76063
USA

Phone: +1 817 533-8130

E-mail: sales-us@poynting.tech