

ANTENNAS | PATCH-26 SERIES

## UNI-DIRECTIONAL, RFID PATCH ANTENNA (LINEAR)

820 - 970 MHz; 8dBi



820 - 970 MHz



8 dBi



Increase  
X Mb/s



Uni-Directional



Machine to  
Machine



Internet of  
Things



Fire Resistant



-40°C to +80°C



IP 65

- Medium gain, uni-directional antenna
- High-performance narrow-band antenna
- Covers GSM 800 and GSM 900 bands
- Linearly polarised
- Robust enclosure design
- Vandal and water resistant (IP 65)
- Meets the stringent electrical requirements for RFID applications



Urban



Rural/Farm

APPLICATION AREAS

### Product Overview

The PATCH-26 antenna covers both EU and USA RFID bands. The antenna has been designed to be water-resistant and is easy to install. It is linearly polarised for reading in any orientation. The antenna is linearly polarised and can also be used to improve indoor GSM coverage. VSWR is typically less than 1.4:1, giving a return loss better than 20dB. This antenna is unique in the RFID environment because of its VSWR & gain specifications.

### Features

- Medium gain, directional antenna
- Linearly polarised
- Robust enclosure design
- Low VSWR < 1.4:1 over RFID band
- Easy to install

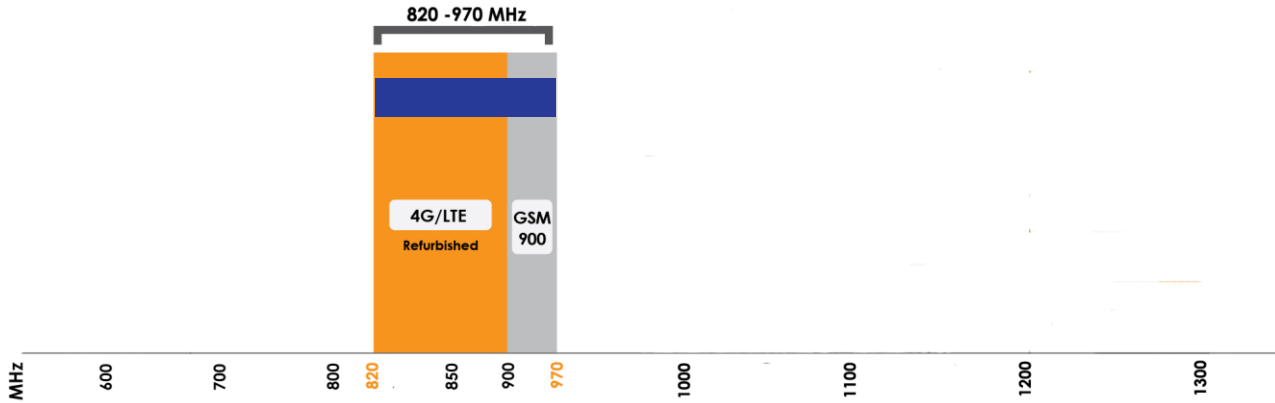
### Application Areas

- Areas with poor GSM-800 and GSM-900 coverage
- Indoor GSM applications
- Rural and urban environments
- Operator agnostic
- RFID reader applications



**Frequency Bands**

The PATCH-26 is a directional antenna that works from | 820 – 970 MHz |



 Indicates the bands on which PATCH-26 works

**Antenna Overview**

Ports	1
SISO / MIMO	SISO
Frequency Bands	820 – 970 MHz
Polarisation	Linear Polarisation
Peak Gain	8 dBi
Coax Cable Type	HDF-195
Coax Cable Length	0.3 m
Connector Type	N-Type (F)

*\*The coax cable & connector are factory mounted to the antenna*

**Electrical Specifications**

<b>Frequency Bands:</b>	820 – 970 MHz
<b>Gain (Max):</b>	8 dBi
<b>VSWR:</b>	<1.4:1 over 80% of the band
<b>Feed Power Handling:</b>	10 W
<b>Input Impedance:</b>	50 Ohm (nominal)
<b>Coax Cable Loss:</b>	0.385 dB/m @ 900 MHz
<b>Polarisation:</b>	Linear
<b>DC Short:</b>	Yes

**Product Box Contents**

<b>Antenna:</b>	A-PATCH-0026
<b>Mounting Bracket:</b>	Pole mount bracket

**Ordering Information**

<b>Commercial name:</b>	PATCH-26
<b>Order product code:</b>	A-PATCH-0026
<b>EAN number:</b>	6009693810020

**Mechanical Specifications**

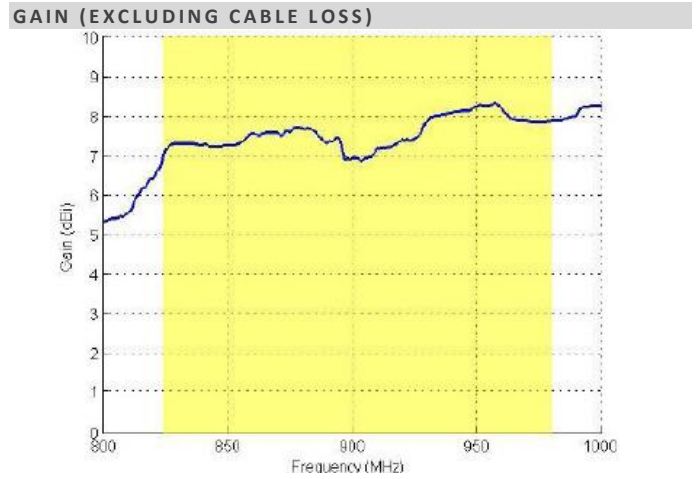
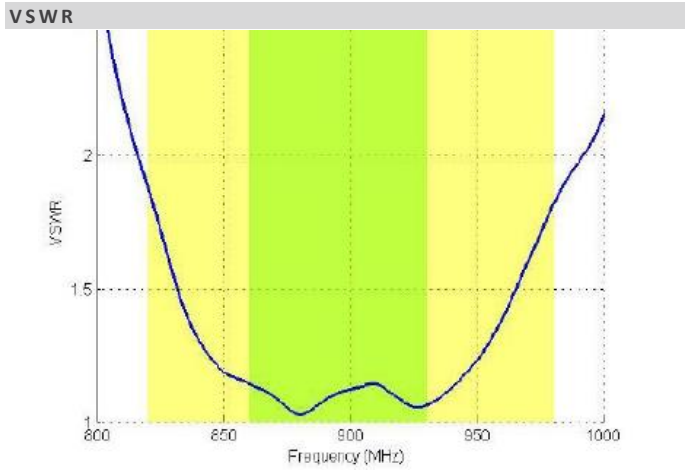
<b>Product Dimensions</b>	254 mm x 253 mm x 56 mm (excluding bracket)
<b>Packaged Dimensions:</b>	335 mm x 250 mm x 95 mm
<b>Weight:</b>	0.57 kg
<b>Packaged Weight:</b>	0.75 kg
<b>Radome Material:</b>	ABS (Halogen Free)
<b>Radome Colour:</b>	Pantone – Cool Gray (1C) RAL - 7047
<b>Mounting Type:</b>	Pole

**Environmental Specifications, Certification & Approvals**

<b>Antenna Wind Survival:</b>	≤160 km/h
<b>Temperature Range (Operating):</b>	-40°C to +80°C
<b>Environmental Conditions:</b>	Outdoor/Indoor
<b>Ingress Protection:</b>	IP 65
<b>Salt Spray:</b>	MIL-STD 810G/ASTM B117
<b>Operating Relative Humidity:</b>	Up to 98%
<b>Storage Humidity:</b>	5% to 95% - non-condensing
<b>Storage Temperature:</b>	-40°C to +80°C
<b>Enclosure Flammability Rating:</b>	UL 94-HB
<b>Impact Resistance:</b>	IK 08
<b>Product Safety &amp; Environmental:</b>	Complies with CE and RoHS standards



**Antenna Performance Plots**



**Voltage Standing Wave Ratio (VSWR)\***

VSWR is a measure of how efficiently radio-frequency power is transmitted from a power source, through a transmission line, into a load. In an ideal system, 100% of the energy is transmitted which corresponds to a VSWR of 1:1.

The PATCH-26 delivers superior performance across all bands with a VSWR of <1.4:1 over 80% of the band.

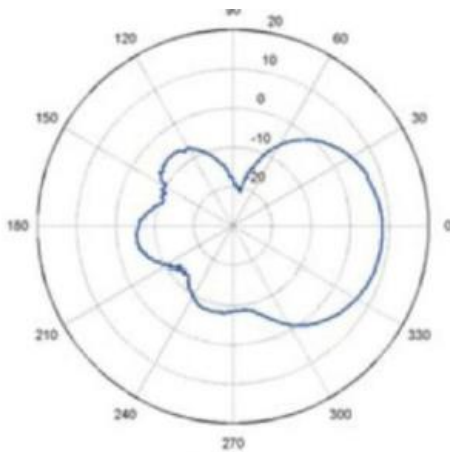
**Gain\* in dBi**

8 dBi is the peak gain across all bands from 820 – 970 MHz

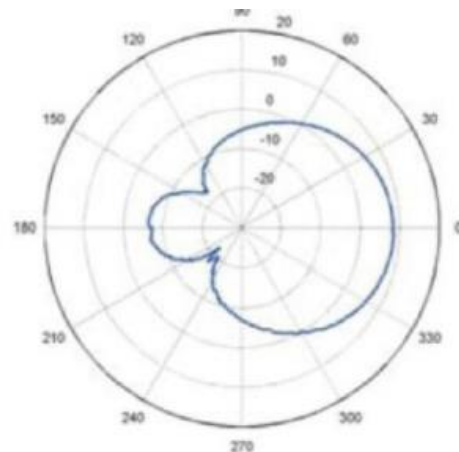
*\*Antenna gain measured with polarisation aligned standard antenna*

**Radiation Patterns**

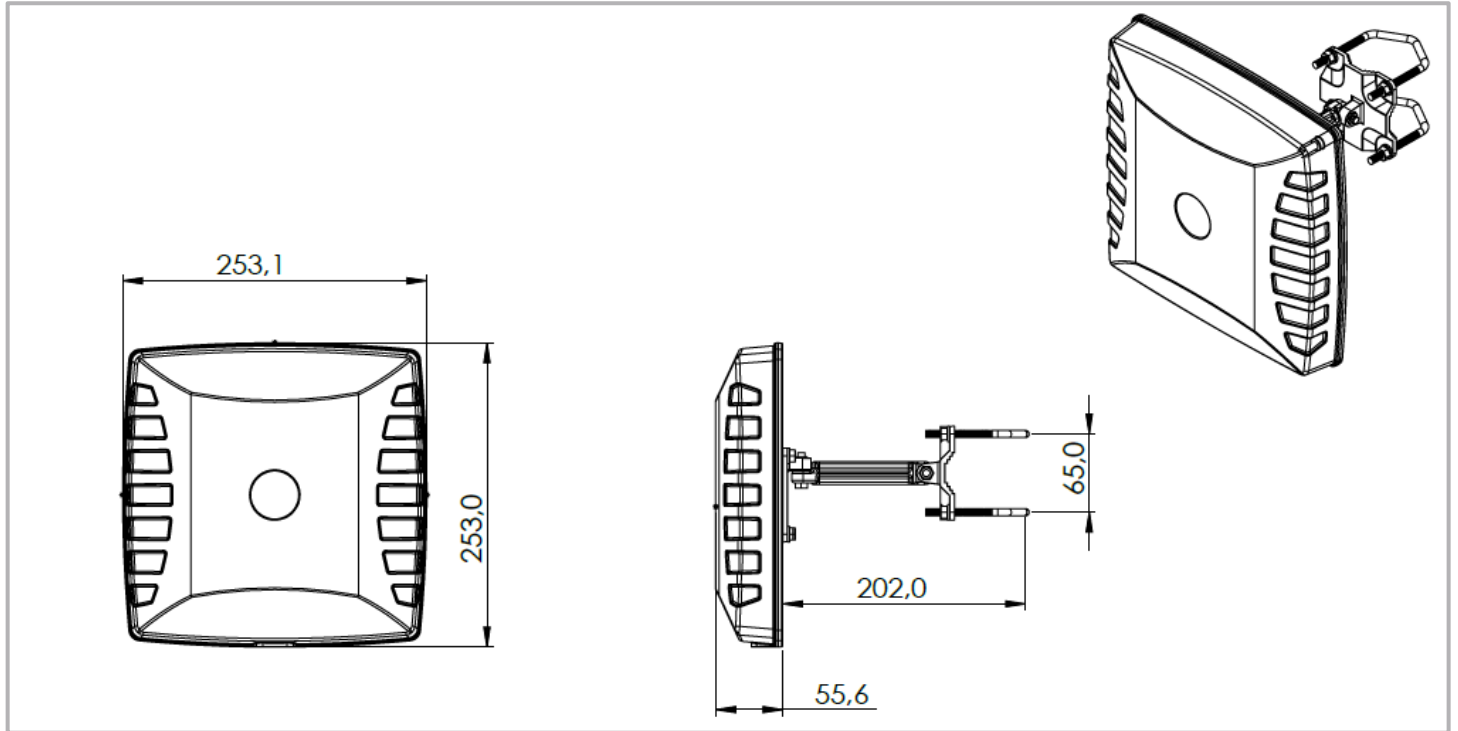
**Azimuth: 820 - 970 MHz**



**Elevation: 820 - 970 MHz**



Technical Drawings



**Mounting Options**



**Pole Mount**

Pole mounted using the provided bracket.

---

**Additional Accessories**

Extension Cables: Up to 15m HDF-195  
Various connectors available  
Installation poles and brackets available

See accessories technical specifications on [www.poynting.tech](http://www.poynting.tech)

---

**CONTACT POYNTING****Poynting Antennas (Pty) Ltd - Head Office**

Unit 4, N1 Industrial Park,  
Landmarks Avenue,  
Samrand, 0157, South Africa

**Phone:** +27 (0) 12 657 0050

**E-mail:** [info@poynting.tech](mailto:info@poynting.tech)

**International Email:** [sales-global@poynting.tech](mailto:sales-global@poynting.tech)

**Poynting Europe**

Regus Business Center Neue Messe Riem  
Kronstadter Straße 4  
81677 München  
Germany

**Phone:** +49 89 7453 9002

**E-mail:** [sales-europe@poynting.tech](mailto:sales-europe@poynting.tech)

**Poynting USA**

1804 Owen Court, Suite 104,  
Mansfield,  
TX 76063  
USA

**Phone:** +1 817 533-8130

**E-mail:** [sales-us@poynting.tech](mailto:sales-us@poynting.tech)